

S.No. : 480

BID 1402

No. of Printed Pages : 04

Following Paper ID and Roll No. to be filled in your Answer Book.

**PAPER ID : 10714**

Roll  
No.

--	--	--	--	--	--	--	--	--	--	--	--	--	--	--	--	--	--	--	--

## BID Examination 2021-22

### SPECIFICATION AND ESTIMATING

*Time : Three Hours]*

*[Maximum Marks : 60*

- Note :-**
- (i) Attempt each questions.
  - (ii) Assume any missing data.
  - (iii) All dimensions are in mm.

#### SECTION – A

1. Attempt each parts of the following :  $8 \times 1 = 8$

- (a) In general and detailed specifications shall be should be words are used. (True/False)

*[P. T. O.*

- (b) Long wall, short wall method and center line method are not same method. (True/False)
- (c) What is use of specifications?
- (d) What is difference between general and detailed specifications?
- (e) What is use of schedule of rate?
- (f) Write about abstract estimate.
- (g) What is Plinth area estimate?
- (h) A room size is  $3\text{m} \times 4\text{m}$ . If wall thickness is 230 mm. Then total center line will be .....

### **SECTION – B**

2. Attempt any three parts of the following :  $3 \times 4 = 12$
- (a) What is difference between long wall, short wall method and center line method?
  - (b) Write detailed specifications of wood product.

- (c) If rate of fixing of tiles on wall surface is ₹ 11/sq. ft. Then what will be rate of fixing tiles on 250 sq.ft. wall surface.
- (d) Write general specifications of glass and paint.

### SECTION – C

3. Attempt any four parts of the following :  $4 \times 10 = 40$

- (a) Write difference between general specifications and detailed specifications.
- (b) Describe types of estimate.
- (c) What is importance and use of specifications.
- (d) Calculate surface area of below Fig.-1 and Fig.-2, by using long wall, short wall method :

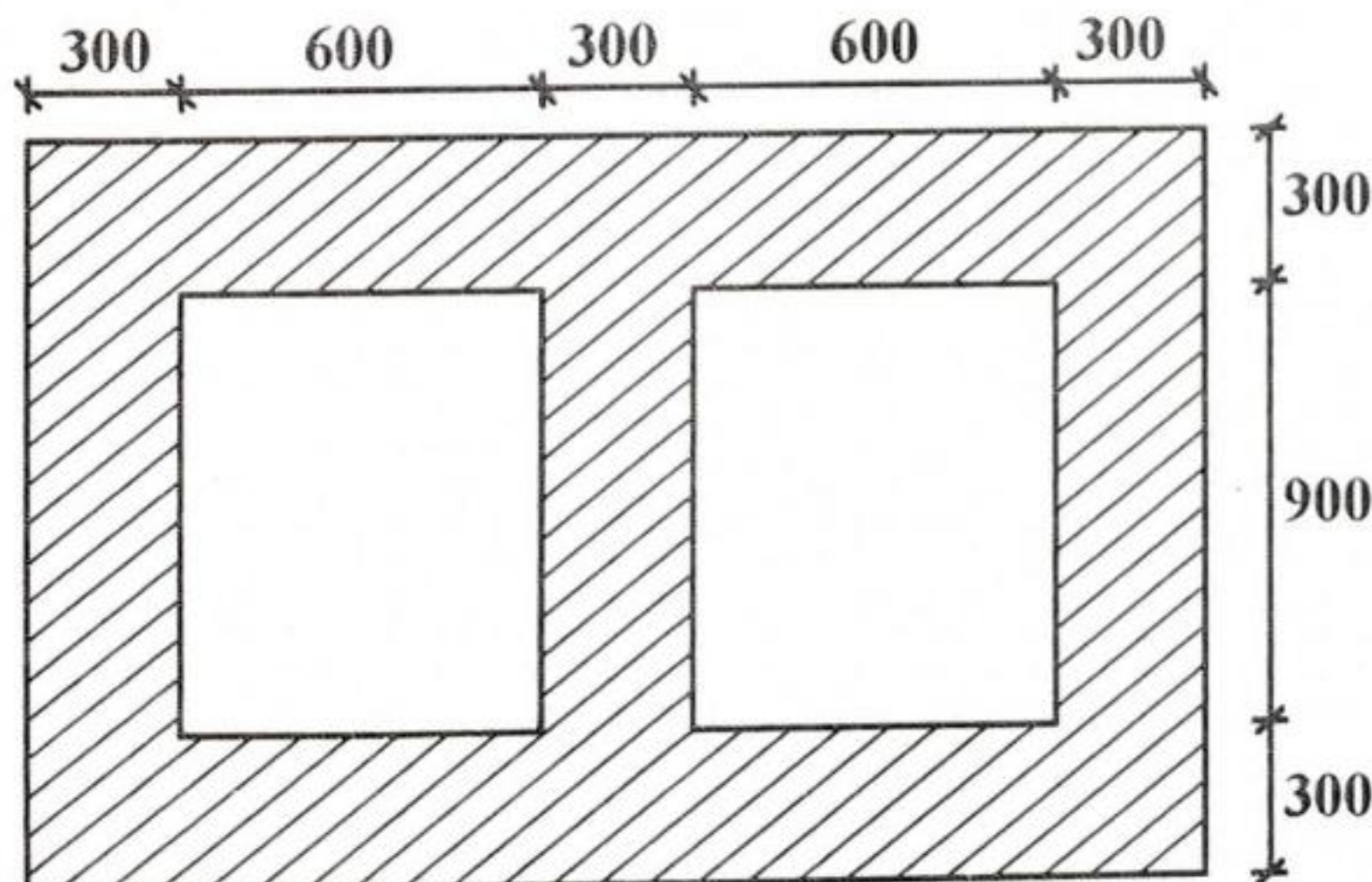


Fig.-1

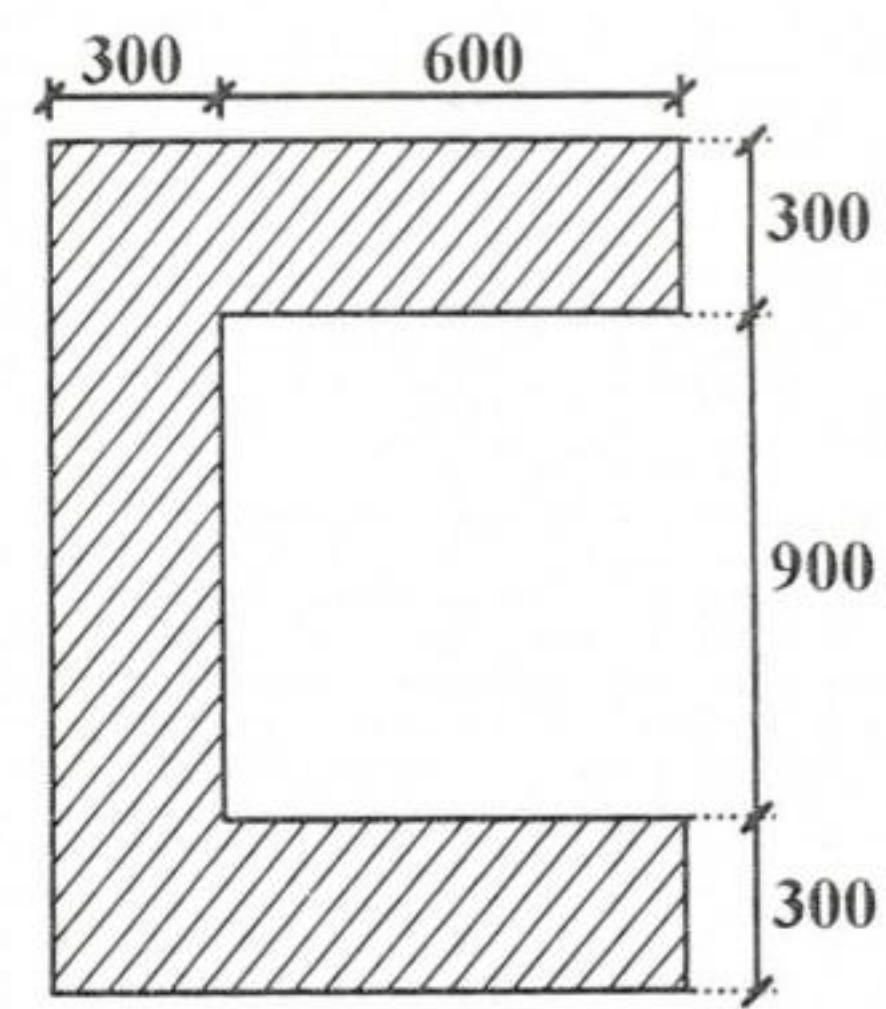


Fig.-2

[P. T. O.]

(e) Calculate surface area of below Fig.-3 and Fig.-4, by using center line method :

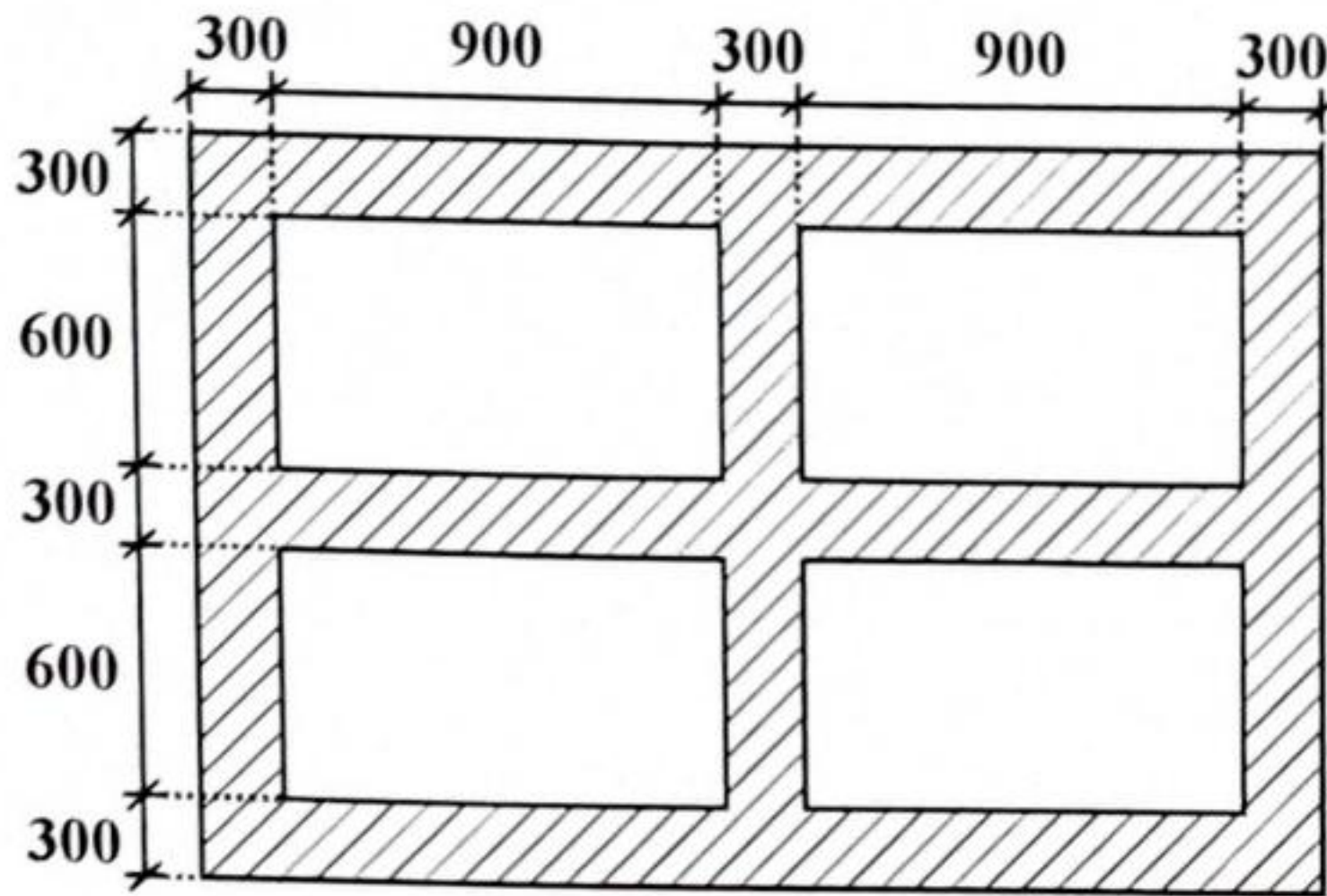


Fig.-3

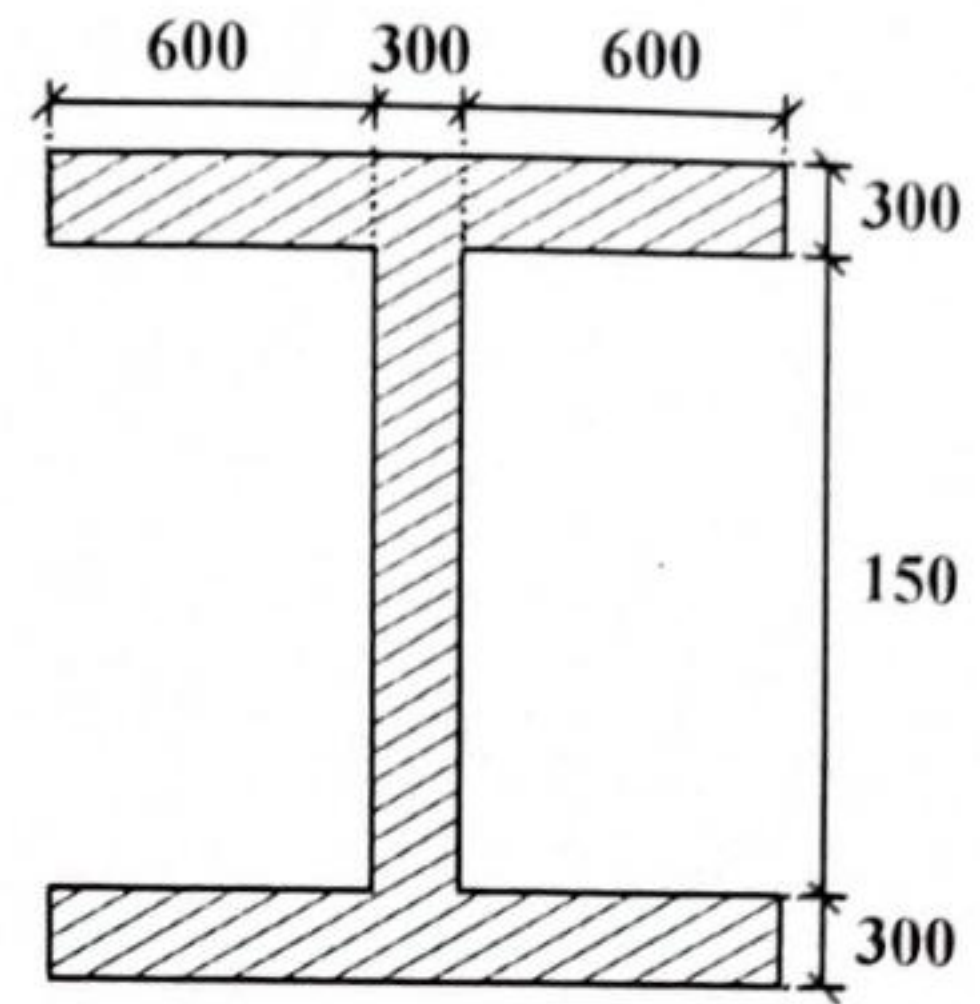


Fig.-4

⌘⌘⌘