

S.No. : 191

AR 1204

No. of Printed Pages : 04

Following Paper ID and Roll No. to be filled in your Answer Book.

PAPER ID : 10110

Roll
No.

--	--	--	--	--	--	--	--	--	--

B. Arch. Examination 2021-22

(Even Semester)

ARCHITECTURAL DRAWING - II

Time : Three Hours]

[Maximum Marks : 60

- Note :-**
- (i) Attempt all questions
 - (ii) Marks are indicated against each question.
 - (iii) Assume any missing data.
 - (iv) All dimensions are in mm.

SECTION - A

1. Fill in the blanks : 8×1=8

(a) Isometric and axonometric drawings are drawing.

(b) In isometric view angle is used.

[P. T. O.]

- (c) A line is II to HP and VP. It's shadow in HP will be
- (d) A circular plane is II to HP and I to VP. It's shadow in VP will be
- (e) A point is 3 cm above HP and 4 cm in front of VP. It's shadow will be in
- (f) PP, HL, GL, VP are elements.
- (g) In 2 point perspective of a square shape building angle is used.
- (h) In 2 point perspective of a rectangular shape building angle is used.

SECTION – B

2. Attempt any three parts of the following : $4 \times 3 = 12$
- (a) A circular plane is II to HP and I to VP. Draw it's isometric view.
 - (b) Axis of a square pyramid is I to HP. Draw it's two point perspective view.
 - (c) Axis of a triangular prism is I to HP. Draw shade and shadow of triangular prism.
 - (d) Explain perspective elements.

SECTION - C

3. Attempt any two parts of the following : $20 \times 2 = 40$
- (a) Draw isometric view of Fig-1a, and Fig-1b.
- (b) Draw one point perspective of Fig-2 and two point perspective of Fig-3.
- (c) Draw shade and shadow in Fig-4a and Fig-4b.

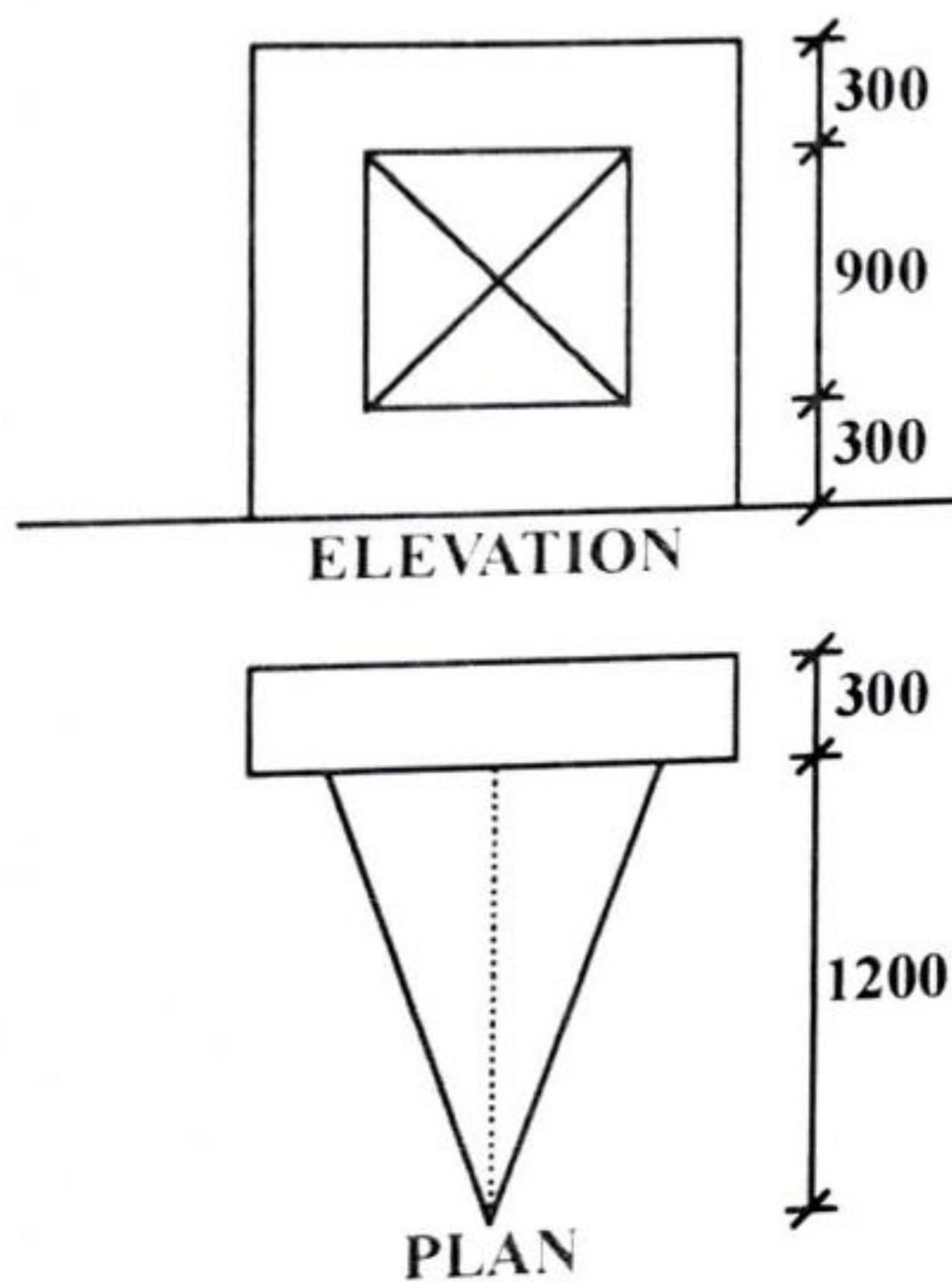


Figure - 1a

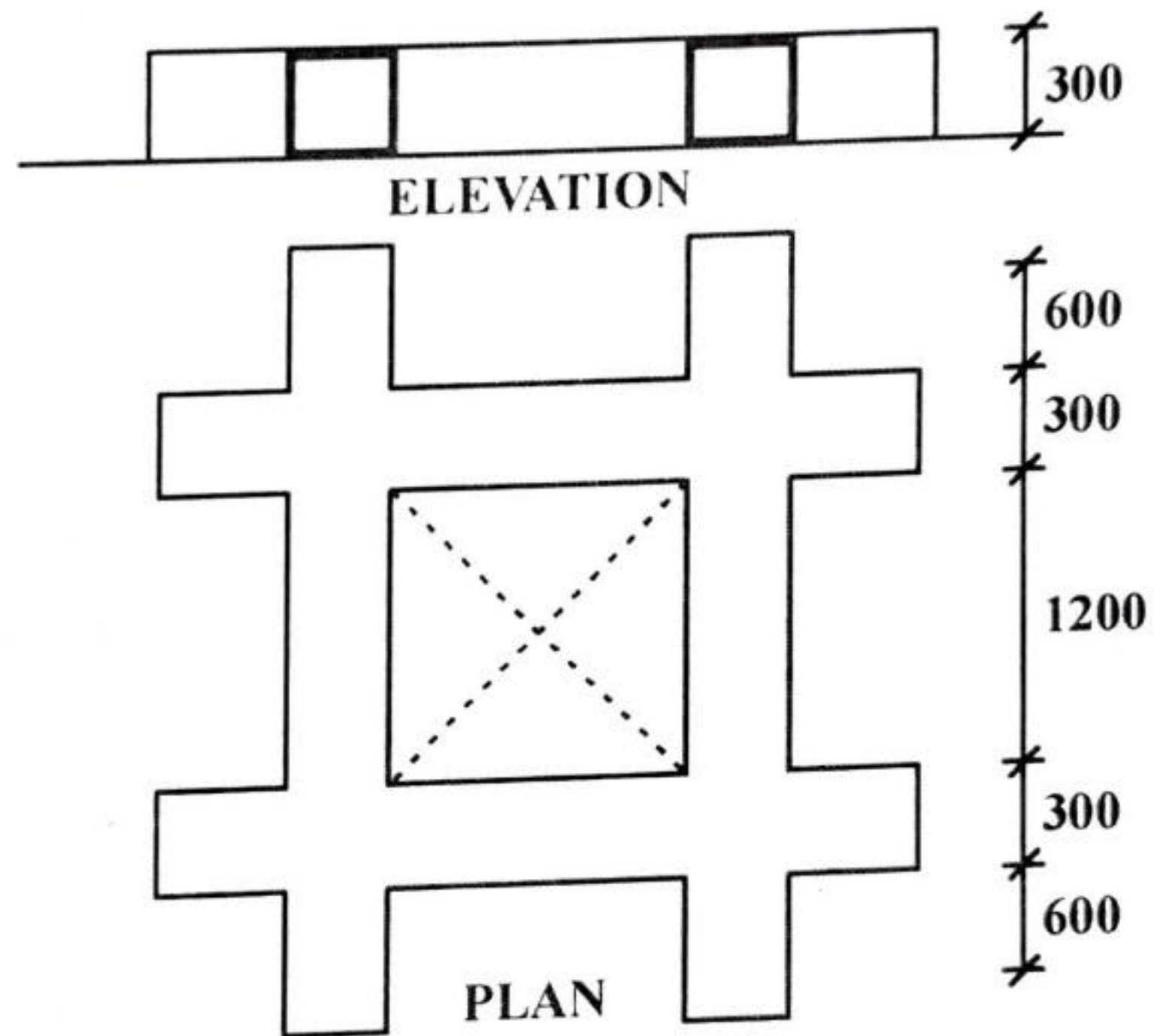


Figure - 1b

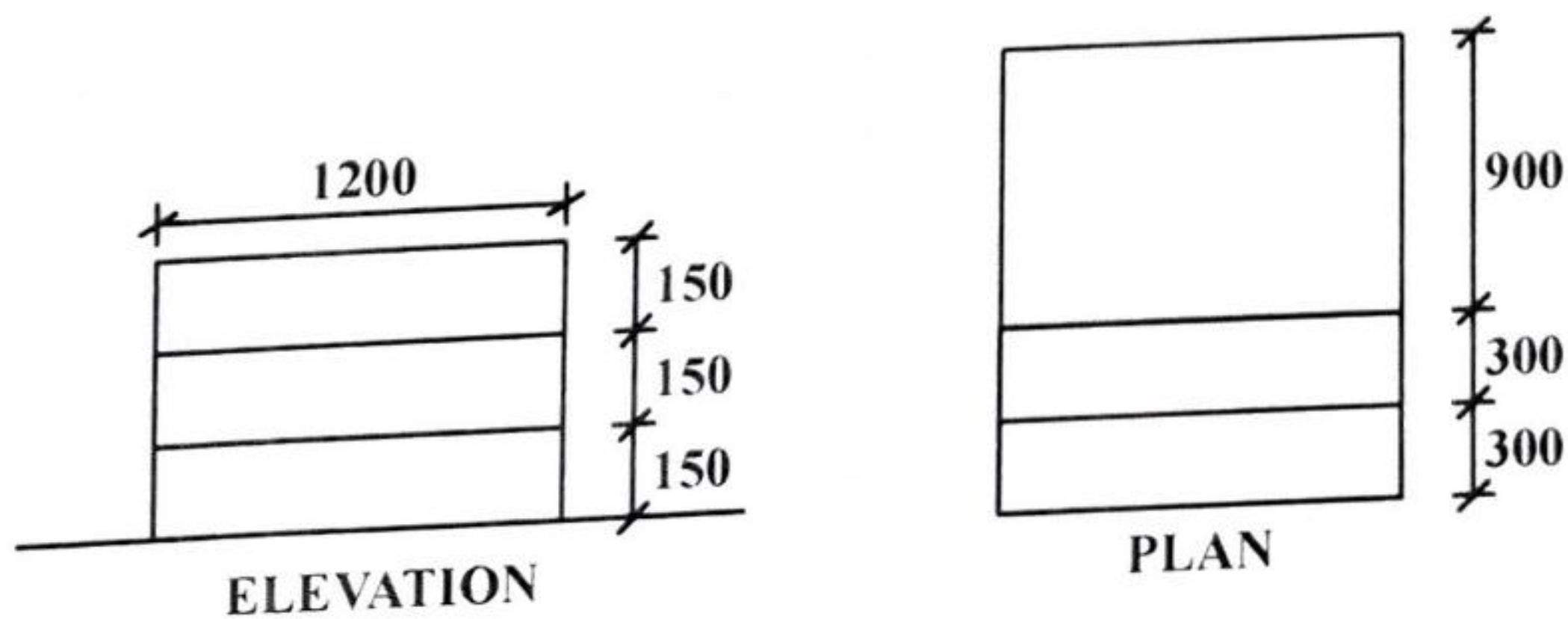


Figure - 2

[P. T. O.]

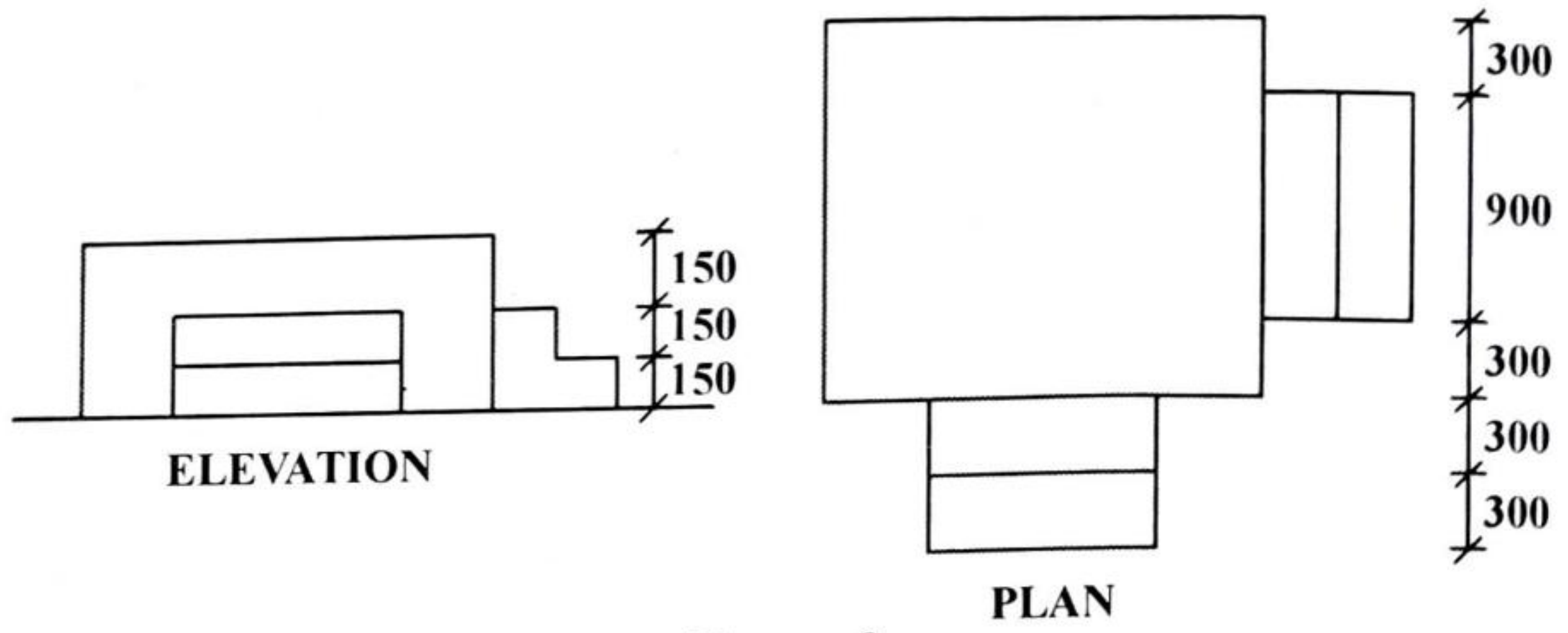


Figure - 3

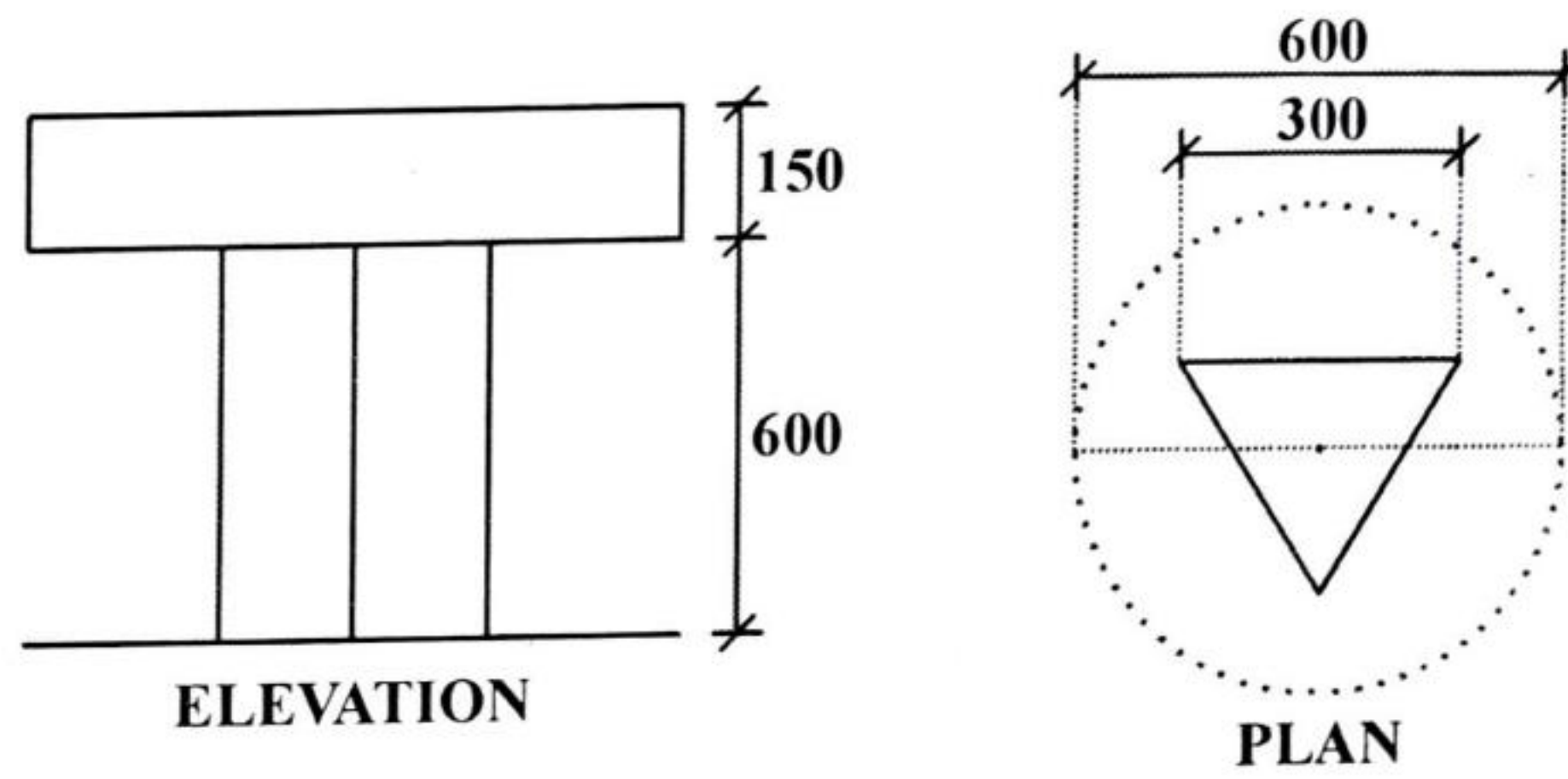
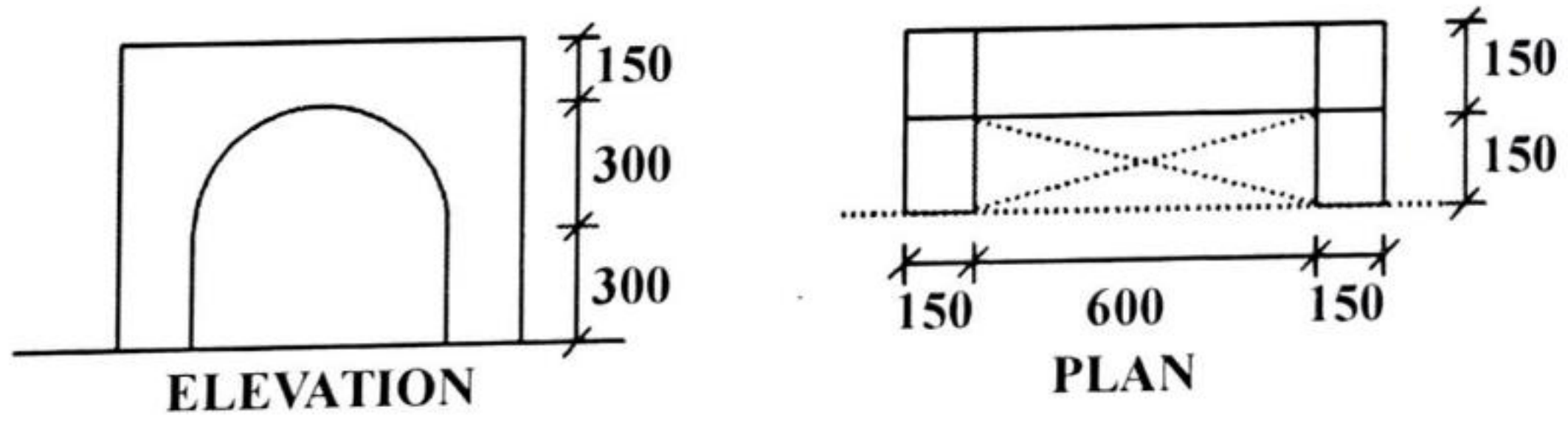


Figure - 4a



⌘⌘⌘